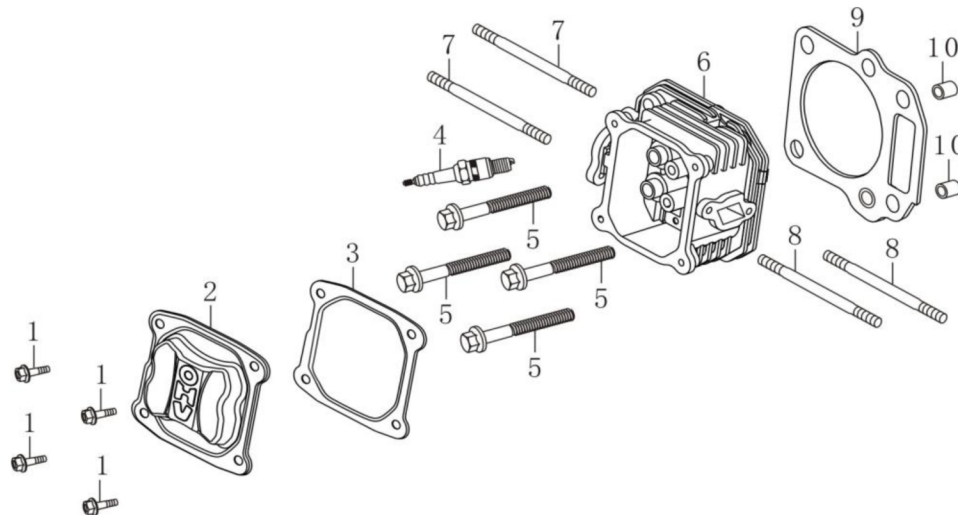
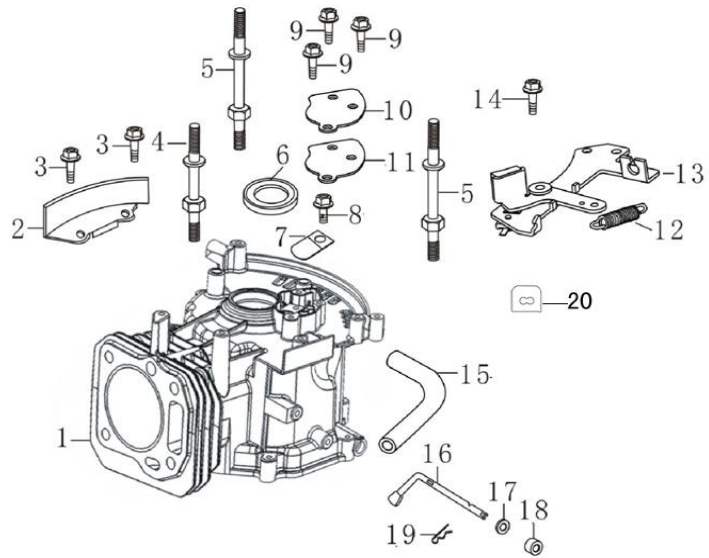


1P65FA 6HP 2018



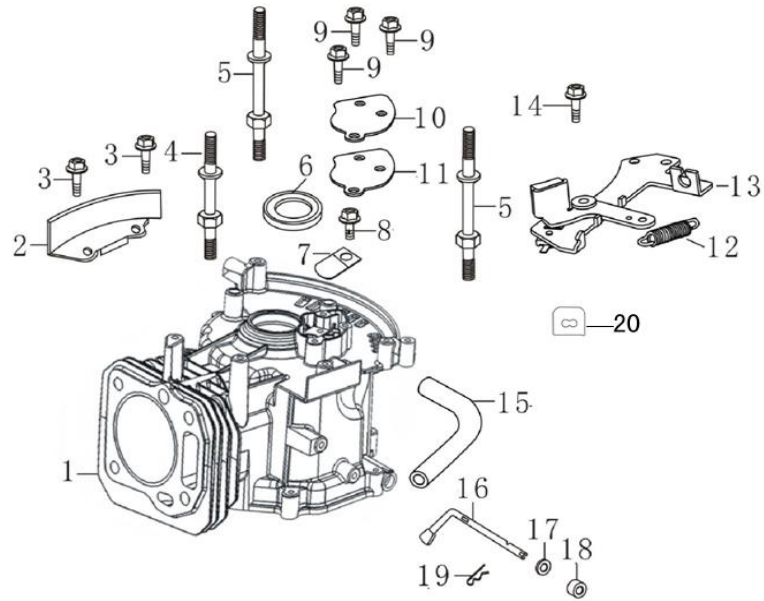
CYLINDER HEAD

No.	Part No.		Reqd. QTY
1	380020070-0001	Hexagon bolt with flange	4
2	120230083-0001	Cylinder head cover	1
3	120250032-0001	Gasket for cylinder head cover	1
4	270960046-0001	Spark plug	1
5	380140339-0001	Hexagon bolt with flange	4
6	120080288-0001	Cylinder head	1
7	380180207-0001	Stud	2
8	380180093-0001	Stud	2
9	120150086-0001	Gasket for cylinder head	1
10	380600117-0001	ocation pin	2



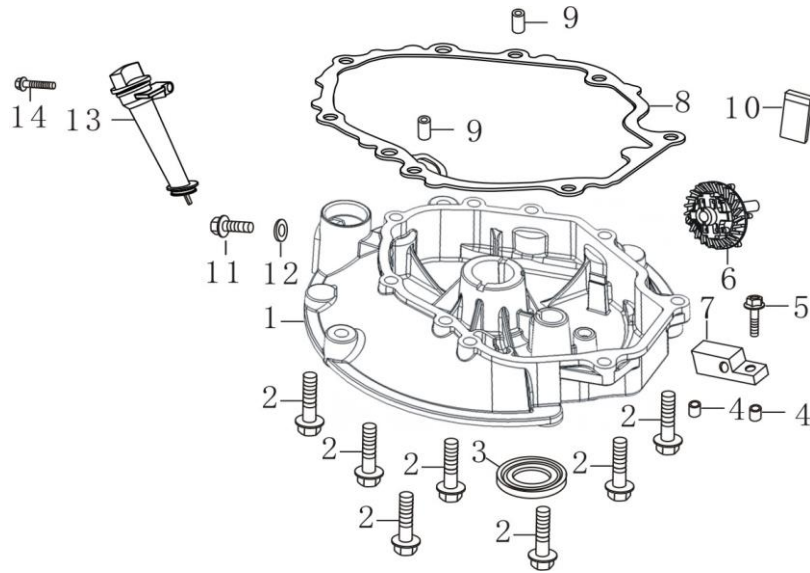
CRANK CASE

No.	Part No.		Reqd. QTY
1	110810149-0001	Crankcase body	1
2	160200048-0001	Side plate	1
3	380140013-0005	Hexagon bolt with flange	2
4	380850011-0001	Stay stud	1
5	380850012-0001	Stay stud	2
6	380650335-0001	Oil seal	1
7	140250006-0001	Leaf valve	1
8	380140039-0003	Hexagon bolt with flange	1
9	380140441-0001	Hexagon bolt with flange	3
10	110840010-0001	CAP, BREATHER CHAMBER	1
11	110850010-0001	PACKING, BREATHER CHAMBER	1
12	381140465-0001	Tension spring	1



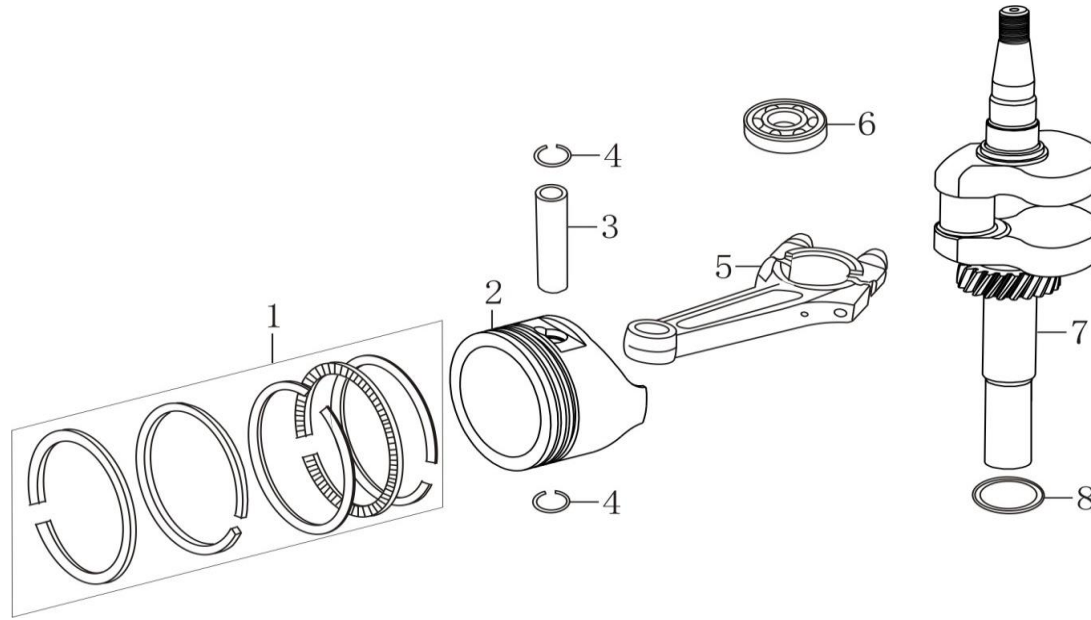
CRANK CASE

No.	Part No.		Reqd. QTY
13	293030020-0001	Engine brake	1
14	380140103-0004	Hexagon bolt with flange	1
15	380741254-0002	Breather tube	1
16	171630010-0001	Speed regulating arm	1
17	380450527-0001	Flat washer	1
18	380650338-0001	Oil seal	1
19	381350004-0001	Pin clip	1
20	380930064-0001	Location wire nail	1



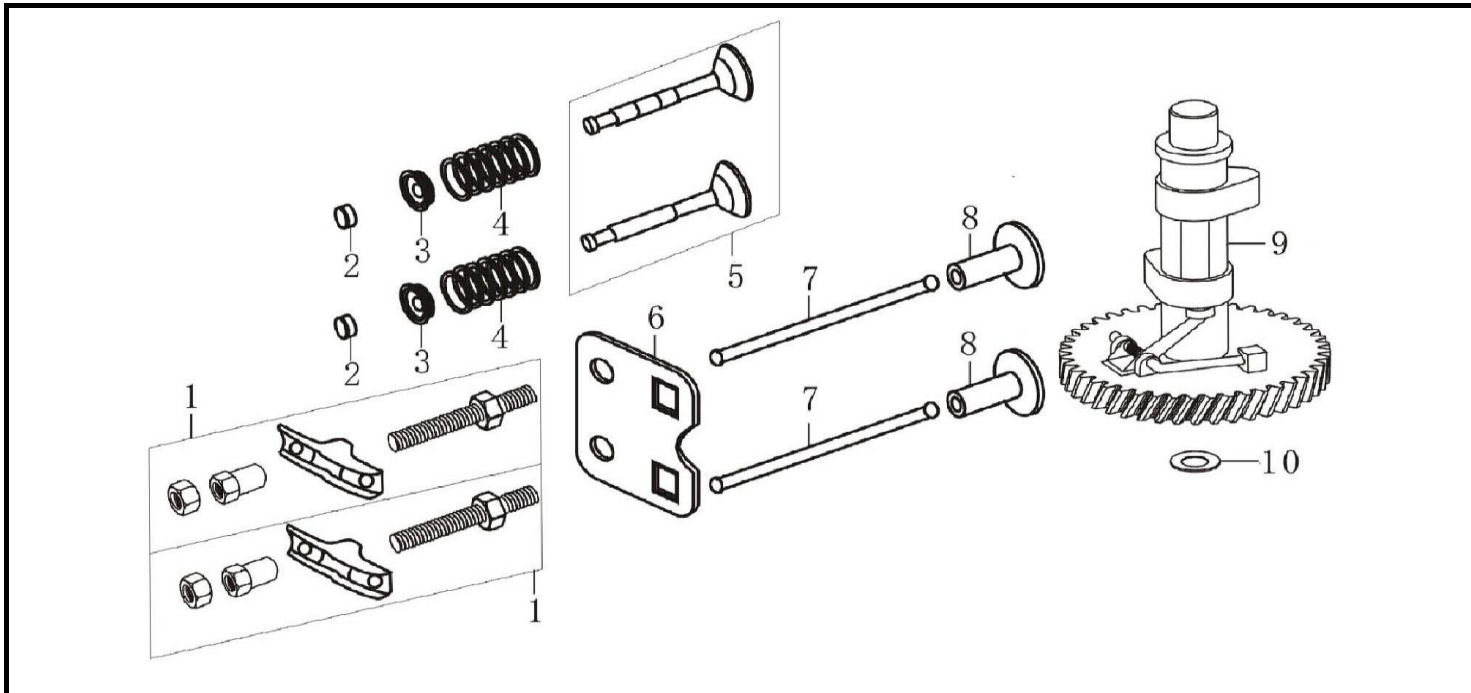
CRANK CASE COVER

No.	Part No.		Reqd. QTY
1	110820038-0001	Crankcase cover	1
2	380140054-0003	Hexagon bolt with flange	7
3	380650347-0001	Oil seal	1
4	380600121-0001	ocation pin	2
5	380140077-0005	Hexagon bolt with flange	1
6	174280001-0001	Components of governor gear	1
7	171640003-0001	Governor gear pressing plate	1
8	110830053-0001	Crankcase cover gasket	1
9	380600120-0001	ocation pin	2
10	150570002-0001	Engine oil return block	1
11	110260025-0001	Sealing plug screw	1
12	380450514-0001	Flat washer	1
13	110690016-0002	Oil rule combination	1
14	380140100-0003	Hexagon bolt with flange	1



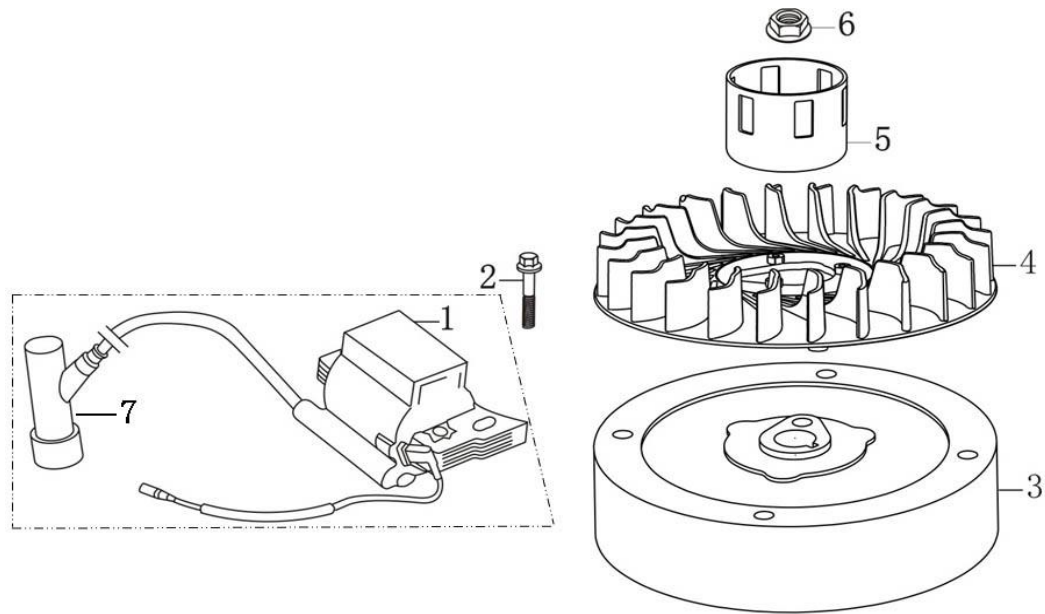
CRANKSHAFT/PISTON

No.	Part No.		Reqd. QTY
1	130070085-0001	Piston ring combination	1
2	130030092-0001	Piston	1
3	130060030-0001	Piston pin	1
4	380560055-0001	Steel cable baffle ring	2
5	130150051-0001	Connecting rod	1
6	380630137-0002	Bearing	1
7	130290109-0001	crankshaft	1
8	380450518-0001	Flat washer	1



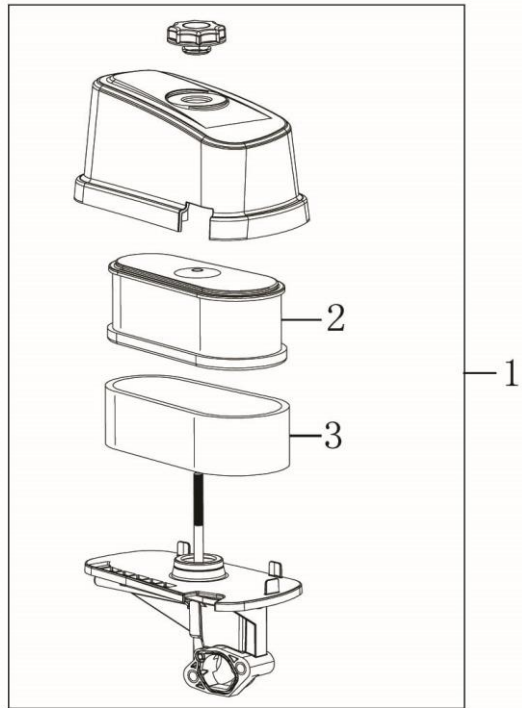
CAMSHAFT

No.	Part No.		Reqd. QTY
1	140450022-0001	Valve rocker combination	2
3	140380020-0001	Retainer, valve spring	2
4	140340022-0001	Inner spring of valve	2
5	500550034-0001	Valve Kit	1
6	140710019-0001	Plate, push rod guide	1
7	140670028-0001	Push rod	2
8	140690002-0001	Lifter, Valve	2
9	140020058-0001	Camshaft assy	1
10	380450534-0001	Flat washer	1



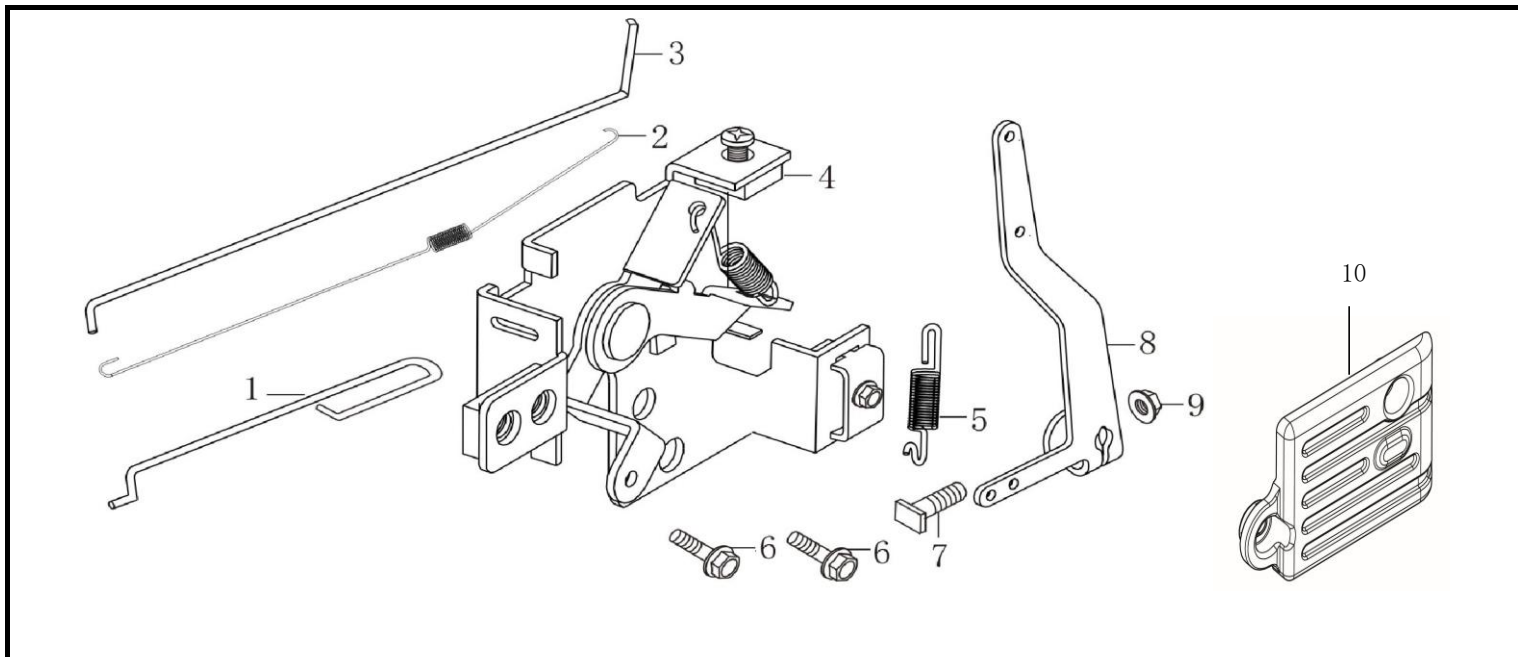
FLYWHEEL/Ignition Comp

No.	Part No.		Reqd. QTY
1	270920215-0001	COIL ASSY., IGNNTION	1
2	380140086-0002	Hexagon bolt with flange	1
3	270020096-0001	FLYWHEEL COMP	1
4	160180015-0001	Impeller	1
5	193590005-0001	Starting disc	1
6	380370051-0001	Hexagon nut with flange	1

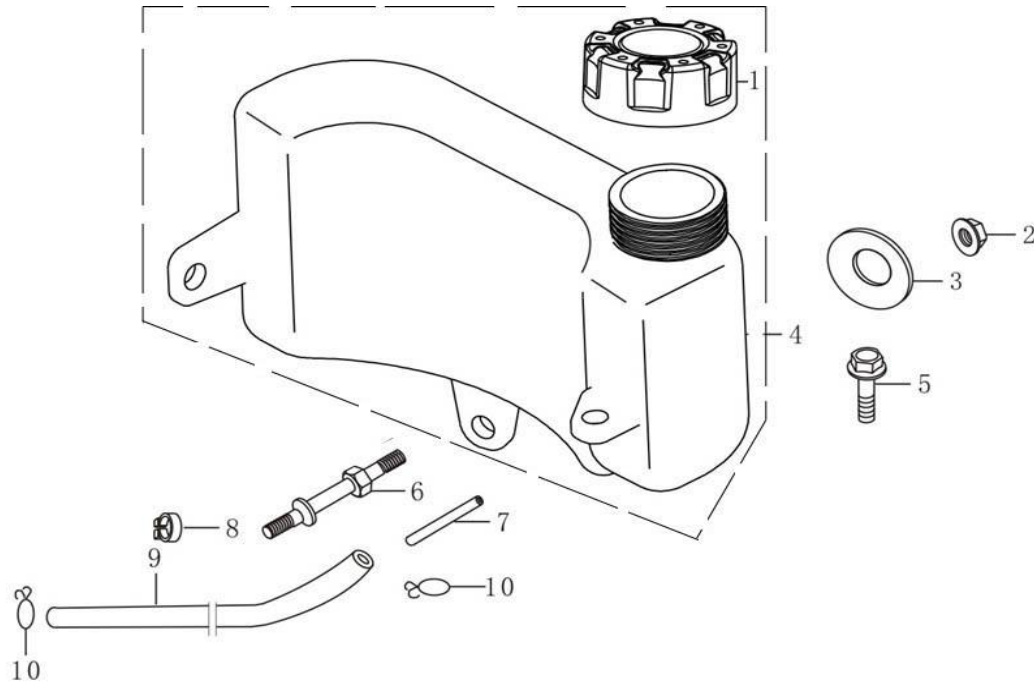


AIR CLEANER

No.	Part No.		Reqd. QTY
1	180020964-0001	Air filter	1
2	180130289-0001	Air filter element	1
3	180130290-0001	Air filter element	1



No.	Part No.		Reqd. QTY
2	171610003-0001	throttle return spring	1
3	171590018-0001	Throttle rod	1
4	171680146-0001	Throttle handle combination	1
5	171600018-0001	Governing spring	1
6	380140067-0003	Hexagon bolt with flange	2
7	380250002-0001	Square head set screw with flat point	1
8	171620015-0003	Speed regulating bracket	1
9	380370048-0001	Hexagon nut with flange	1
10	171740006-0001	Guard plate for throttle combination	1



FUEL TANK

No.	Part No.		Reqd. QTY
1	170870094-0001	Tank cover	1
2	380370048-0001	Hexagon nut with flange	1
3	380450444-0002	Flat washer	1
4	170490149-0004	Tank	1
5	380140013-0005	Hexagon bolt with flange	1
6	380850003-0001	Stay stud	1
7	170010017-0001	Fuel filter	1
8	380930025-0001	Location wire nail	1
9	380750234-0002	Oil tube	1
10	380950190-0001	Pipe clip	2