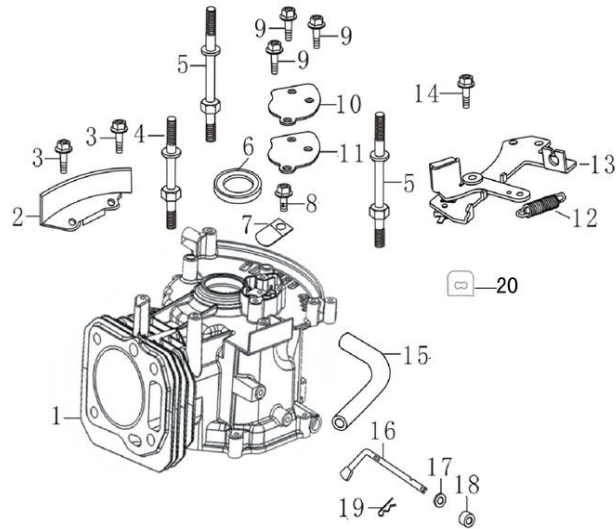


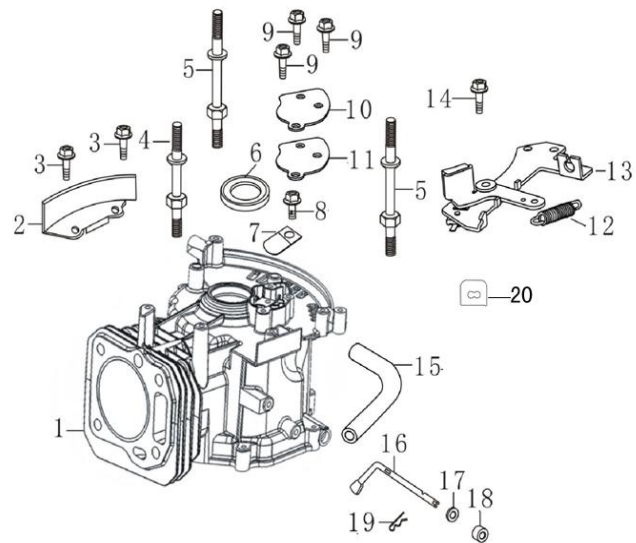
CYLINDER HEAD

No.	ID Zboží	Název
1	380020070-0001	Hexagon bolt with flange
2	120230083-0001	Cylinder head cover
3	120250032-0001	Gasket for cylinder head cover
4	270960046-0001	Spark plug
5	380140339-0001	Hexagon bolt with flange
6	120080288-0001	Cylinder head
7	380180124-0001	Stud
8	380180101-0001	Stud
9	120150086-0001	Gasket for cylinder head
10	380600117-0001	ocation pin



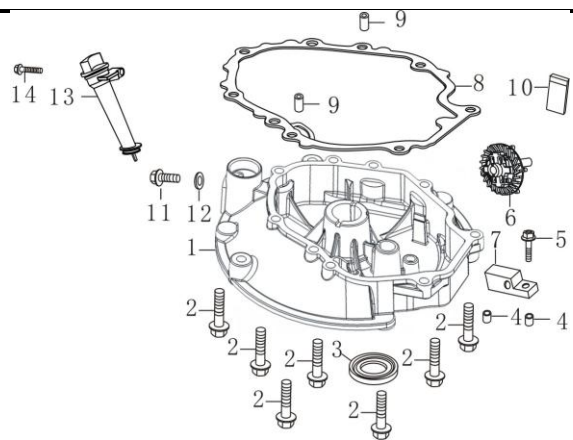
CRANK CASE

No.	ID Zboží	Název
1	110810149-0001	Crankcase body
2	160200048-0001	Side plate
3	380140013-0005	Hexagon bolt with flange
4	380850002-0001	Stay stud
5	380850006-0001	Stay stud
6	380650335-0001	Oil seal
7	140250006-0001	Leaf valve
8	380140037-0003	Hexagon bolt with flange
9	380140441-0001	Hexagon bolt with flange
10	110840010-0001	CAP,BREATHER CHAMBER
11	110850010-0001	PACKING, BREATHER CHAMBER
12	381140465-0001	Tension spring



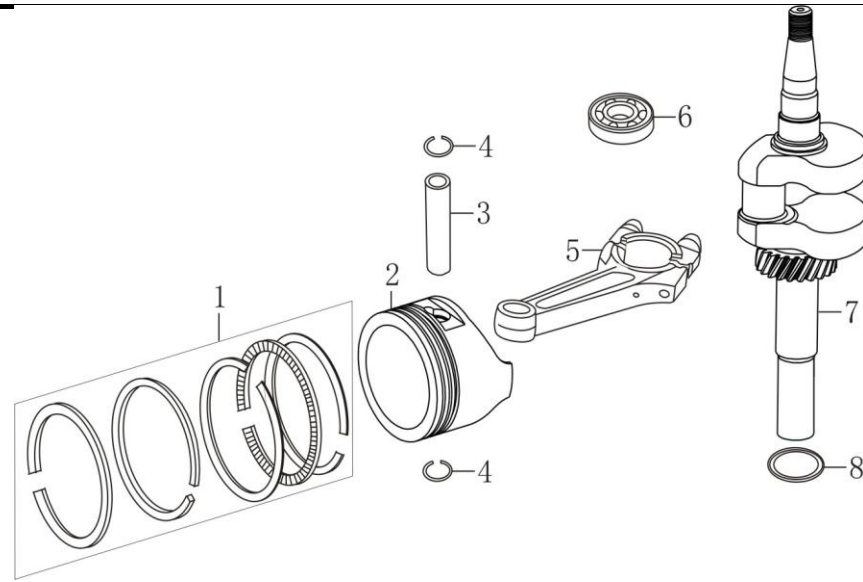
CRANK CASE

No.	Part No.	Description
13	293030012-0001	Engine brake
14	380140086-0002	Hexagon bolt with flange
15	380740521-0001	Breather tube
16	171630010-0001	Speed regulating arm
17	380450527-0001	Flat washer
18	380650338-0001	Oil seal
19	381350004-0001	Pin clip
20	380930064-0001	Location wire nail



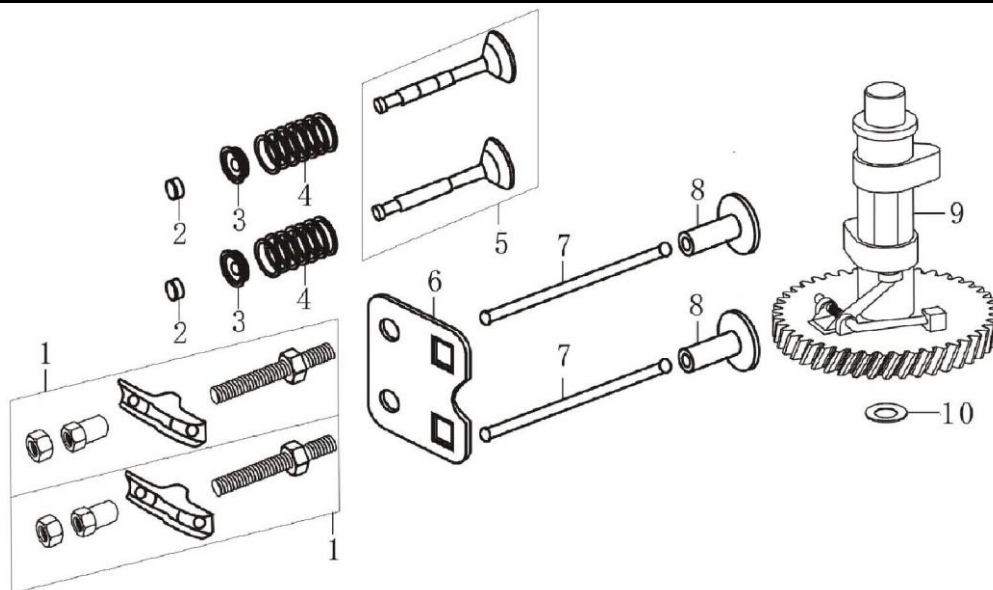
CRANK CASE COVER

No.	Part No.	Description
1	110820038-0001	Crankcase cover
2	380140054-0003	Hexagon bolt with flange
3	380650347-0001	Oil seal
4	380600121-0001	ocation pin
5	380140077-0005	Hexagon bolt with flange
6	174280001-0001	Components of governor gear
7	171640003-0001	Governor gear pressing plate
8	110830053-0001	Crankcase cover gasket
9	380600120-0001	ocation pin
10	150570002-0001	Engine oil return block
11	110260025-0001	Sealing plug screw
12	380450514-0001	Flat washer
13	110690016-0002	Oil rule combination
14	380140100-0003	Hexagon bolt with flange



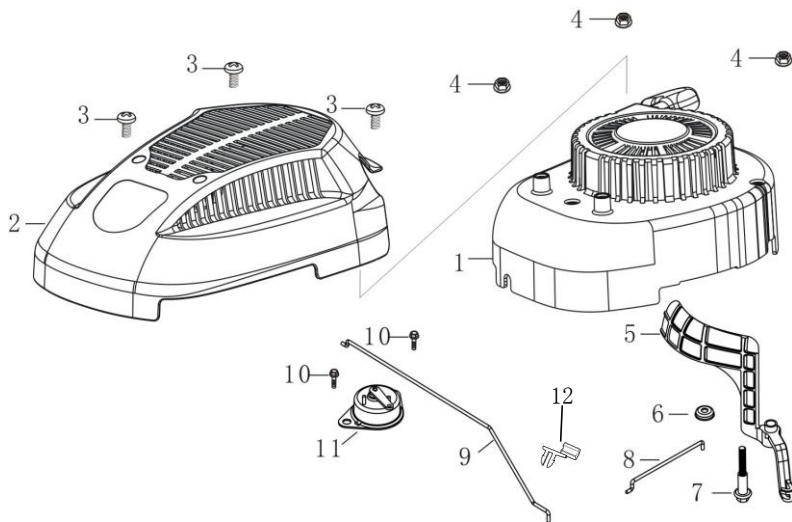
CRANKSHAFT/PISTON

No.	Part No.	Description
1	130070085-0001	Piston ring combination
2	130030092-0001	Piston
3	130060030-0001	Piston pin
4	380560055-0001	Steel cable baffle ring
5	130150051-0001	Connecting rod
6	380630137-0002	Bearing
7	130290109-0001	crankshaft
8	380450518-0001	Flat washer



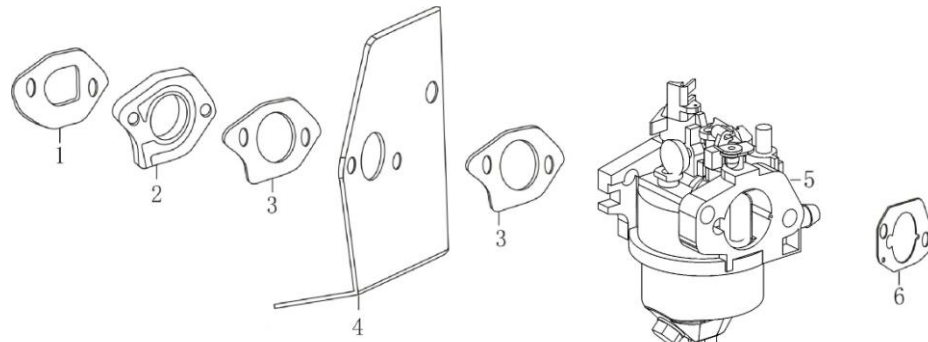
CAMSHAFT

No.	Part No.	Description
1	140450022-0001	Valve rocker combination
3	140380020-0001	Retainer, valve spring
4	140340022-0001	Inner spring of valve
5	500550034-0001	Valve Kit
6	140710003-0001	Plate, push rod guide
7	140670028-0001	Push rod
8	140690002-0001	Lifter, Valve
9	140020058-0001	Camshaft assy
10	380450534-0001	Flat washer



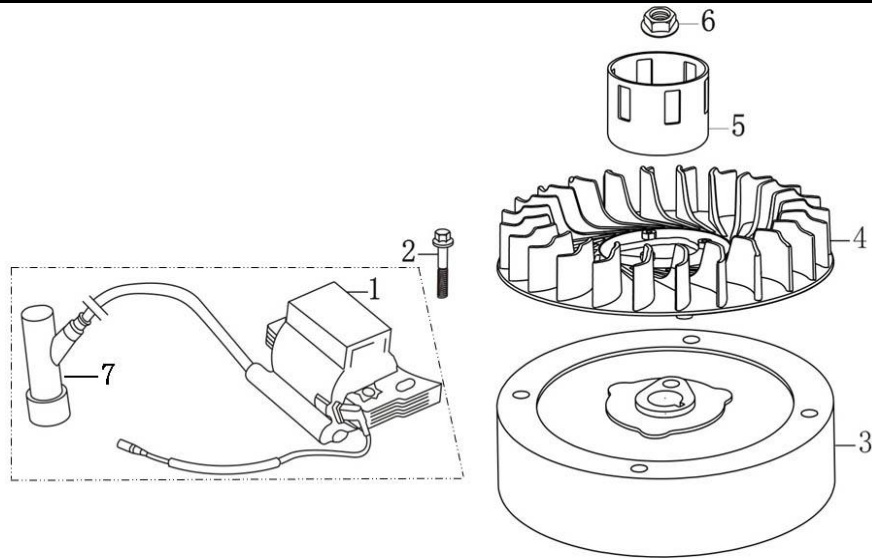
STARTER

No.	Part No.	Description
1	193490248-0001	Manual starting assembly
2	193690015-0002	Starter decoration cover
3	380200008-0005	Cross recessed pan head screw
4	380370066-0001	Hexagon nut with flange
5	173910002-0001	LAMINA, CONTEOL THROTTLE
6	141140003-0001	dust cap
7	380020090-0001	Hexagon shaft shoulder bolt
8	171650016-0001	Choke valve pull rod
9	171650015-0001	Choke valve pull rod
10	380140497-0002	Hexagon bolt with flange
11	171470010-0001	Control components of choke valve
12	173090001-0001	Locker of choke valve pull rob



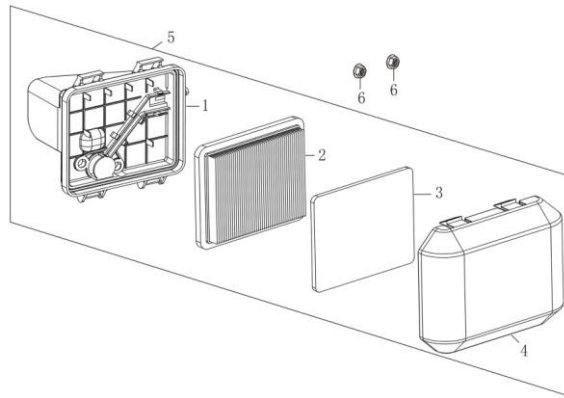
CARBURETOR

No.	Part No.	Description
1	170430148-0001	Carburetor gasket
2	170440055-0001	Heat insulating pad for carburetor
3	170430147-0001	Carburetor gasket
4	170450001-0001	Heat insulating plate for carburetor
5	170020718-0002	Carburetor
6	170430150-0001	Carburetor gasket



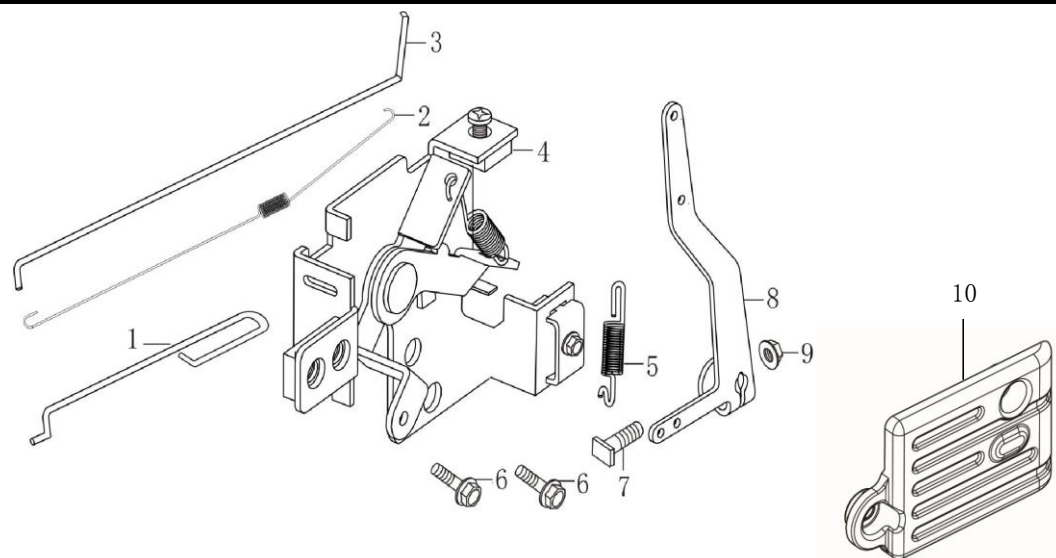
FLYWHEEL/ignition Comp

No.	Part No.	Description
1	270920215-0001	COIL ASSY.,IGNNTION
2	380140086-0002	Hexagon bolt with flange
3	270020096-0001	FLYWHEEL COMP
4	160180015-0001	Impeller
5	193590005-0001	Starting disc
6	380370051-0001	Hexagon nut with flange



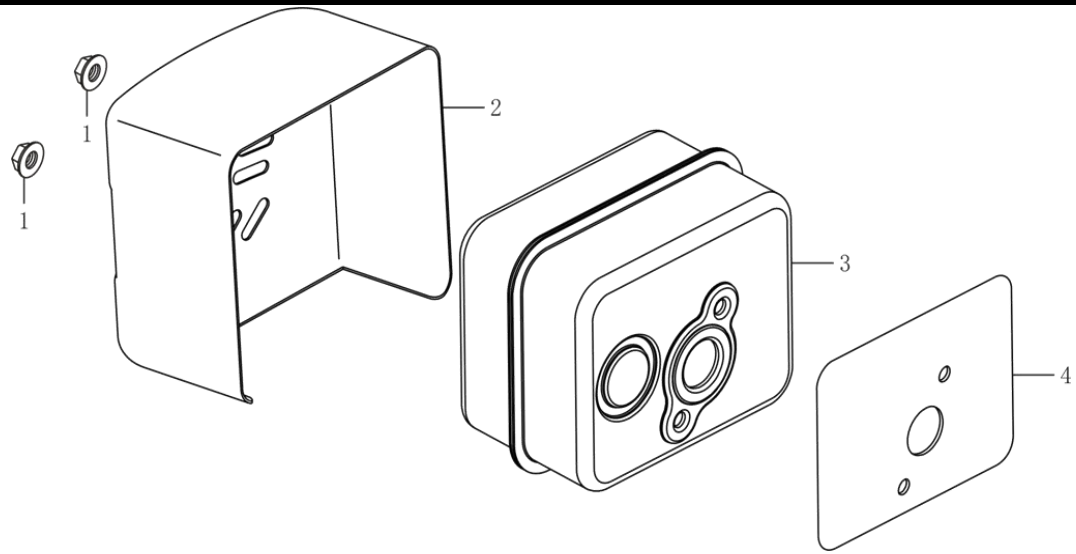
AIR CLEANER

No.	Part No.	Description
1	180280052-0001	Air filter seat
2	180130178-0001	Air filter element
3	180130157-0001	Air filter element
4	180070175-0001	Air filter casing cover
5	180020597-0001	Air filter
6	380370066-0001	Hexagon nut with flange
7	380140013-0005	Hexagon bolt with flange



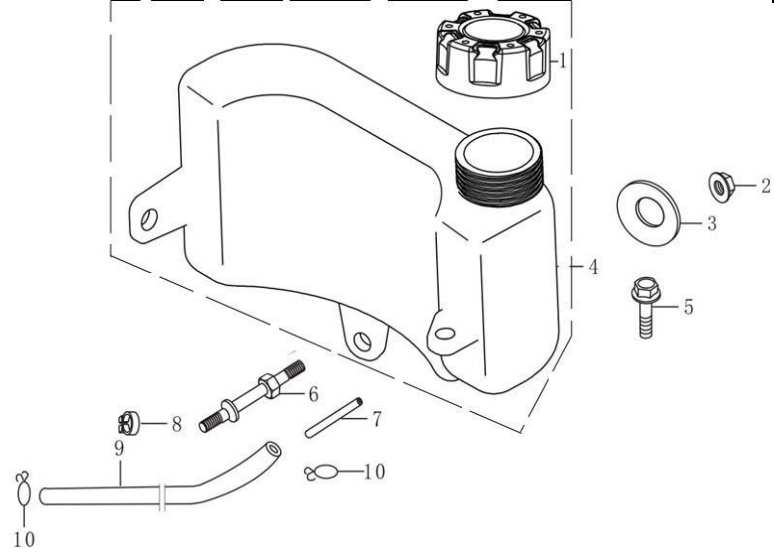
CONTROL SYSTEM

No.	Part No.	Description
2	171610003-0001	throttle return spring
3	171590018-0001	Throttle rod
4	171680146-0001	Throttle handle combination
5	171600030-0001	Governing spring
6	380140067-0003	Hexagon bolt with flange
7	380250002-0001	Square head set screw with flat point
8	171620015-0003	Speed regulating bracket
9	380370048-0001	Hexagon nut with flange
10	171740006-0001	Guard plate for throttle combination



MUFFLER

No.	Part No.	Description
1	380370048-0001	Hexagon nut with flange
2	180960067-0001	Muffler guard shield
3	180571283-0001	Muffler
4	180660065-0001	Muffler gasket



FUEL TANK

No.	Part No.	Description
1	170870094-0001	Tank cover
2	380370048-0001	Hexagon nut with flange
3	380450444-0002	Flat washer
4	170490149-0001	Tank
5	380140013-0005	Hexagon bolt with flange
6	380850003-0001	Stay stud
7	170010017-0001	Fuel filter
8	380930025-0001	Location wire nail
9	380750234-0001	Oil tube
10	380950190-0001	Pipe clip